

CABLE 408 RF: RF CABLE ASSEMBLY, HIROSE W.FL + SMA FEMALE BULKHEAD WITH O-RING + 0.81MM CABLE - 6GHz

SPECIFICATIONS:

- HIROSE W.FL PLUG (W.FL-LP-040)
- 0.81MM COAXIAL CABLE, COLOR: GRAY
- SMA STRAIGHT BULKHEAD JACK  
P/N: RFCT-SMA081-F08, GOLD

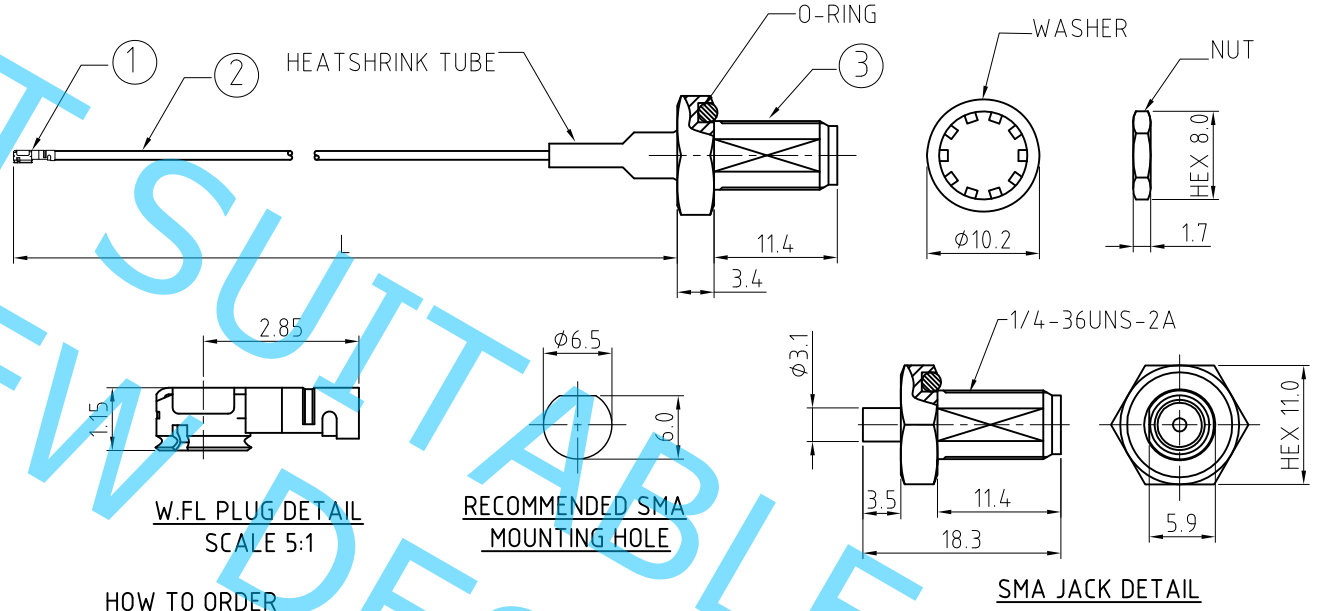
ENVIRONMENTAL:

- A. BULKHEAD MOUNTED CONNECTOR (RFCT-SMA081-F08) RATED TO THE FOLLOWING SPECIFICATION:
- IP6X - DUST TIGHT - NO PARTICLE INGRESS.
  - IPX7 WATERPROOF FOR 30 MINUTES UP TO 1 METER UNDERWATER.

NOTES:

- THE ORIENTATION OF CONNECTORS ON DRAWING IS FOR REFERENCE ONLY, IF THE ORDER IS LEFT BLANK THE CONNECTOR WILL NOT HAVE FIXED ORIENTATION.
- FIXED ORIENTATION IS SUGGESTED FOR CABLE LENGTH 25MM TO 100MM. PLEASE SPECIFY THE FIXED ORIENTATIONS FROM THE ORDER CODE (F1, F2, ETC)
- CONTACT GRAD CONN IF THE ORIENTATION YOU REQUIRE IS NOT SHOWN.
- WORKING FREQUENCY RANGE: DC-6GHz
- OPERATING TEMPERATURE: -40°C TO +90°C
- IMPEDANCE: 50 OHM.

**USAGE PRECAUTIONS: CABLES USING 'MICRO' COAX ARE DELICATE:**  
 (i) HANDLE WITH CARE.  
 (ii) DO NOT TWIST; APPLY EXCESSIVE FORCES OR SHARP BENDS TO THE CABLE. DO NOT FORCEFULLY DEFORM WIRES.  
 (iii) CONSULT CONNECTOR MANUFACTURER'S DATASHEETS FOR DETAILED NOTES ON HANDLING INSTRUCTIONS.

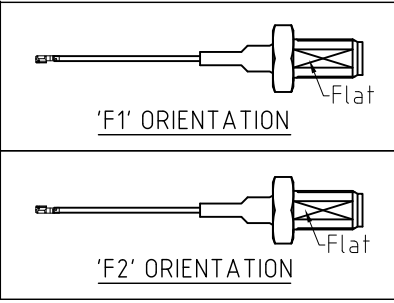


HOW TO ORDER  
 CABLE 408 RF - X X X - X X - X

"L" LENGTH IN MM  
 eg: 100MM = 100  
 (MIN. 025-MAX.400)  
 STANDARD = 100, 150, 200  
 Tolerance: <50mm: ±2mm.  
 51-200mm: ±5mm.  
 201-400mm: ±7mm.

WASHER AND NUT OPTIONS:  
 BLANK = SEPERATELY PACKED (STANDARD)  
 A = ASSEMBLED WITH CONNECTOR

ORIENTATION OPTIONS:  
 BLANK = DOES NOT HAVE A FIXED ORIENTATION  
 F1 = WFL CONNECTION DOWN (L=25-100MM)  
 F2 = WFL CONNECTION UP (L=25-100MM)  
 (SEE NOTES 1, 2, 3 AND DIAGRAMS FOR MORE INFORMATION)



REV. DATE & DRN  
 10 26/05/20 - CC RELEASE  
 11 31/03/24 - CC  
 ADD IP RATING VIEW  
 12 19/04/24 - CC  
 REMOVE IPX8 TEST CONDITION & IP RATING VIEW

Scale: NTS	THIRD ANGLE	Unstated .X .XX .XXX ANGLES	Tolerances: N/A N/A N/A N/A
Drawn: CC			
App'd: XXX	Title CABLE ASSEMBLY		
Date: 19 APR. '24	Revision: 1.2	Unit: mm	

 IP Rated RF Products	 www.gradconn.com	Type: Cable 408 RF
		CABLE 408 RF
Drawing Number:		Sheet 1 of 1
© THIS DRAWING IS CONFIDENTIAL AND MUST NOT BE COPIED OR DISCLOSED WITHOUT WRITTEN CONSENT		Drawing © E and O E